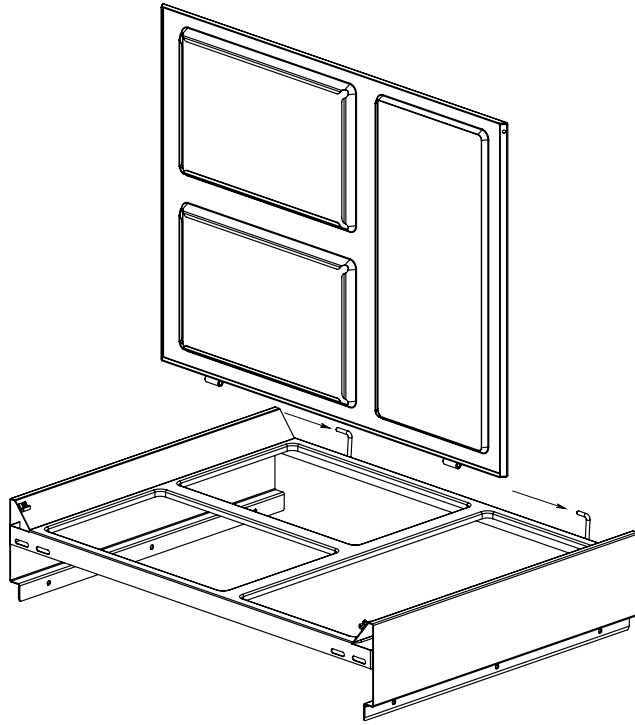
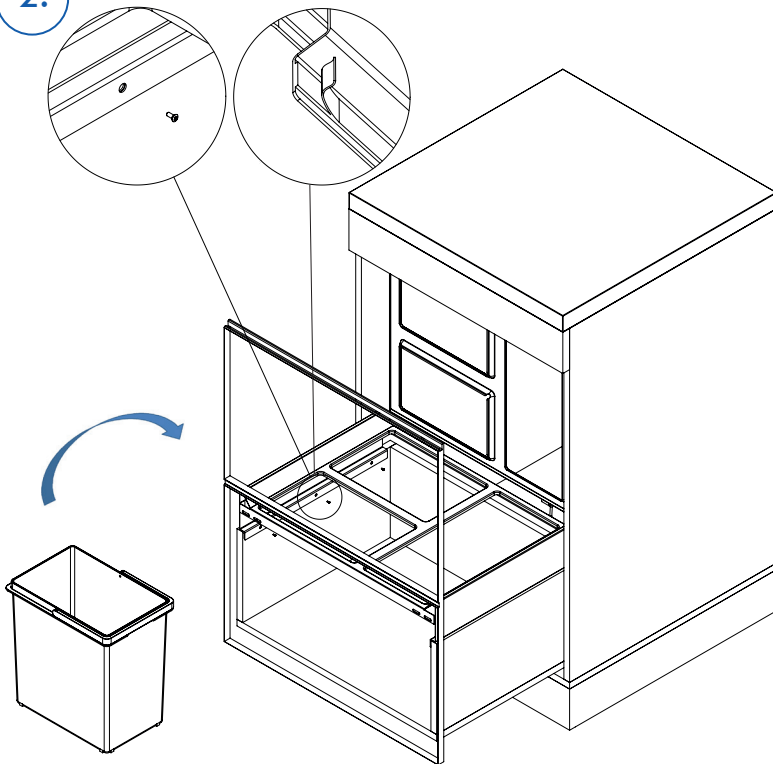


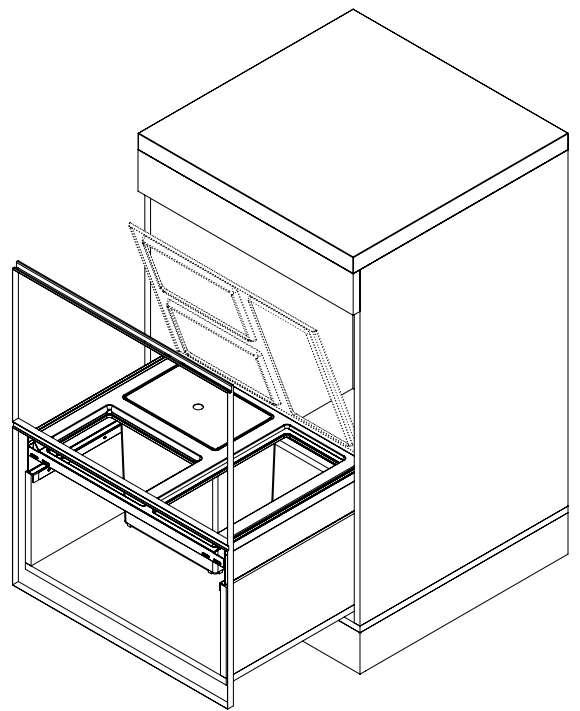
1.



2.



3.



Please note that it might be difficult to get the innermost buckets out if the porcelain sink reaches over the countertop. If there is a problem, the lid may need to be removed or the sorting frame can be reversed so that the lid opens against the door instead.